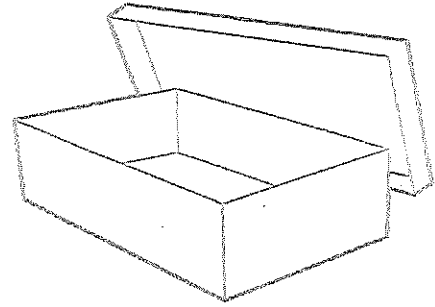


Name: _____ Landform: _____ Due Date: _____

LANDFORM DIORAMA



Your assignment is to create a diorama related to a major landform!

INSIDE BOX: The inside of your shoe box diorama must reflect the landform you have researched. Use materials to create a creative and well-organized scene. Plan your scene in the space below!

RIGHT SIDE: Include the name of the landform and your name.

LEFT SIDE: Write 2-3 sentences explaining the scene in your diorama and how it showcases what you know about that landform.

BACK OF BOX: Write a two-paragraph summary of your chosen landform. Include details about location, importance, plant & animal life, unique facts, etc.

DON'T FORGET!

Proofread carefully to avoid errors in grammar, spelling and/or punctuation. Your diorama must be colorful and creatively designed. The diorama must be neatly assembled and written portions need to be easy to read!

Name: _____

Habitat: _____

DIORAMA PLANNING SHEET

RIGHT SIDE: Name of the landform and your name.

LEFT SIDE: 2-3 sentences explaining the scene in your diorama

BACK OF BOX: Two-Paragraph summary description of your landform

DIORAMA EXAMPLE PROJECTS

